

# TOM 376040i (NF)

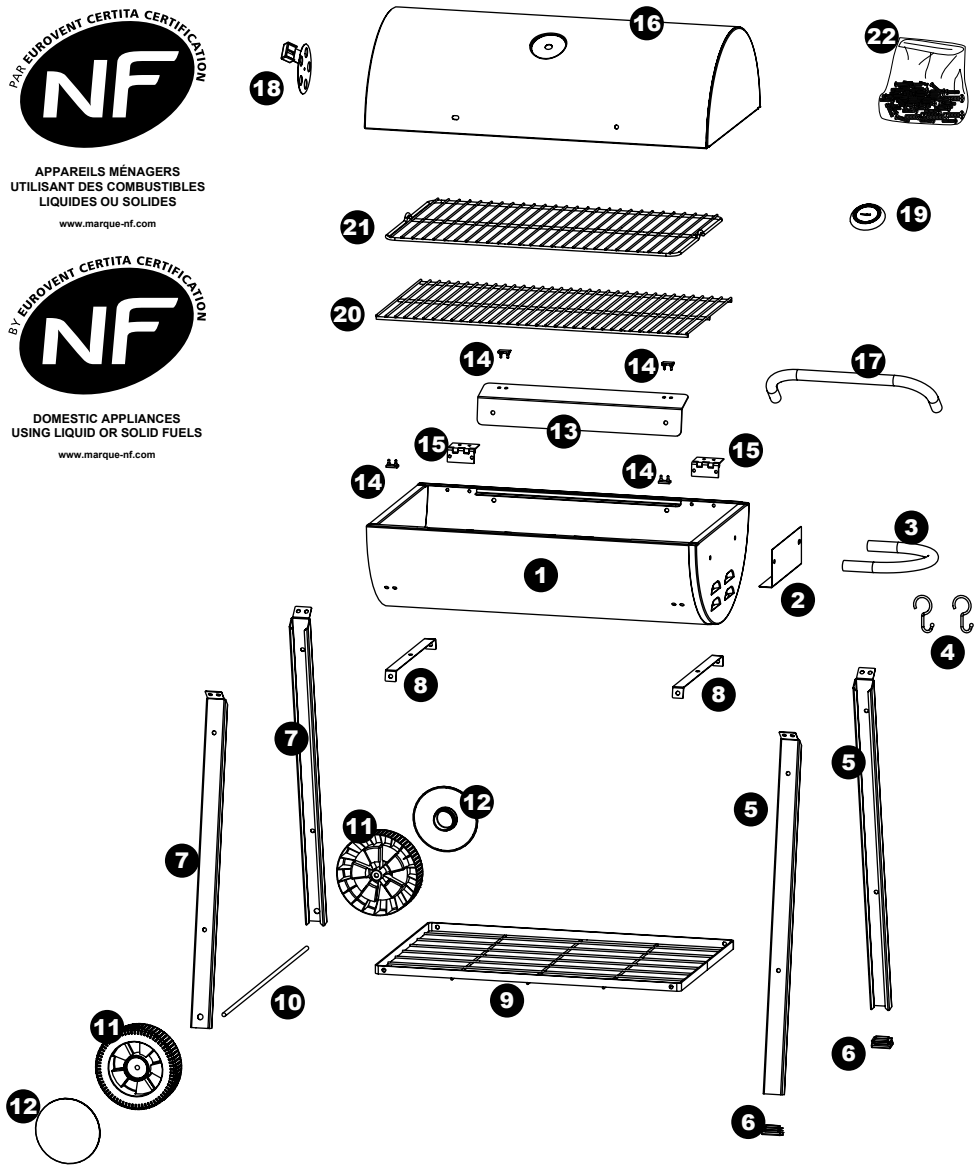




APPAREILS MÉNAGERS  
UTILISANT DES COMBUSTIBLES  
LIQUIDES OU SOLIDES  
www.marque-nf.com



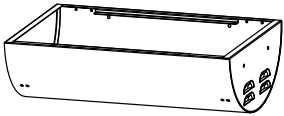
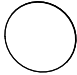
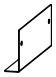

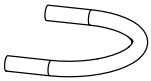


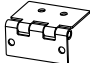

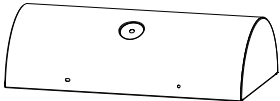
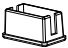



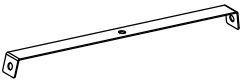

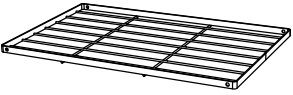


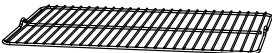


DOMESTIC APPLIANCES  
USING LIQUID OR SOLID FUELS  
www.marque-nf.com



	6 x 35	4
	6 x 16	4
	6 x 12	16
	4 x 12	9

	Ø 8	1	
	Ø 6	24	
	Ø 4	9	
	Ø 6	20	
	brake nut	Ø 4	1
	Ø 4	8	

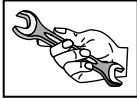
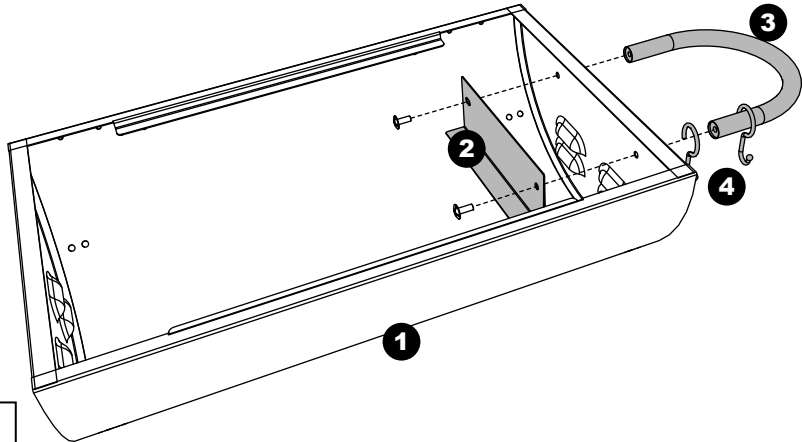
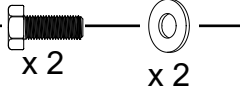
	Ø 8	1
	Ø 8	2

<b>1</b>		x 1	<b>12</b>		x 2
<b>2</b>		x 1	<b>13</b>		x 1
<b>3</b>		x 1	<b>14</b>		x 4
<b>4</b>		x 2	<b>15</b>		x 2
<b>5</b>		x 2	<b>16</b>		x 1
<b>6</b>		x 2	<b>17</b>		x 1
<b>7</b>		x 2	<b>18</b>		x 1
<b>8</b>		x 2	<b>19</b>		x 1
<b>9</b>		x 1	<b>20</b>		x 1
<b>10</b>		x 1	<b>21</b>		x 1
<b>11</b>		x 2	<b>22</b>		

**1**

Ø6 x 16

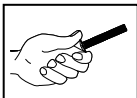
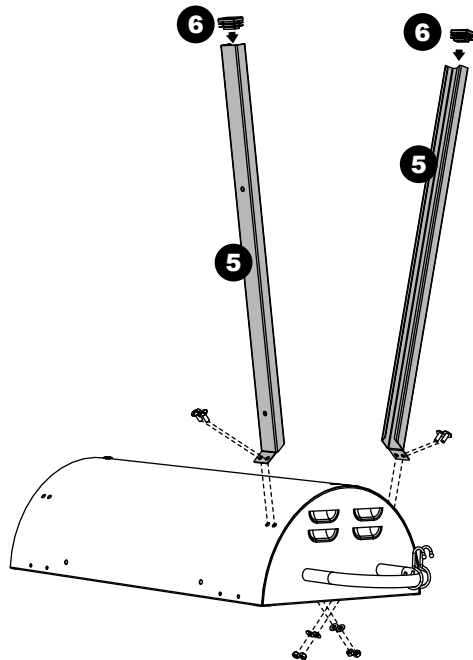
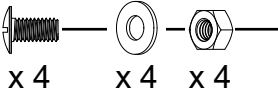
Ø6

**2**

Ø6x12

Ø6

Ø6



**3**

Ø6x12

Ø6

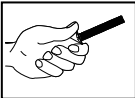
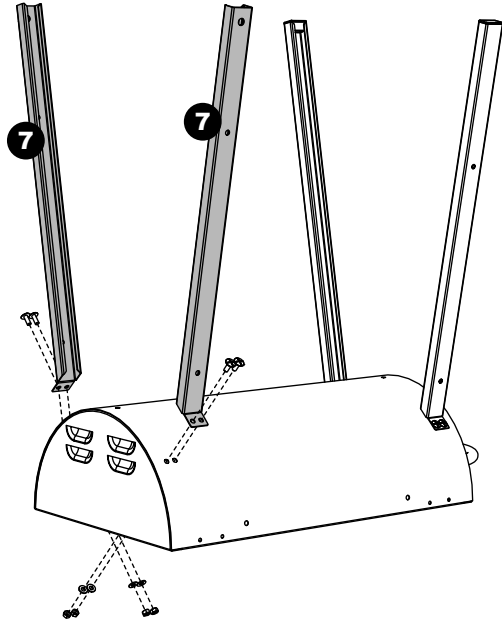
Ø6



x 4

x 4

x 4

**4**

Ø6x12

Ø6x35

Ø6

Ø6

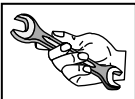
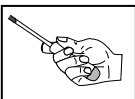
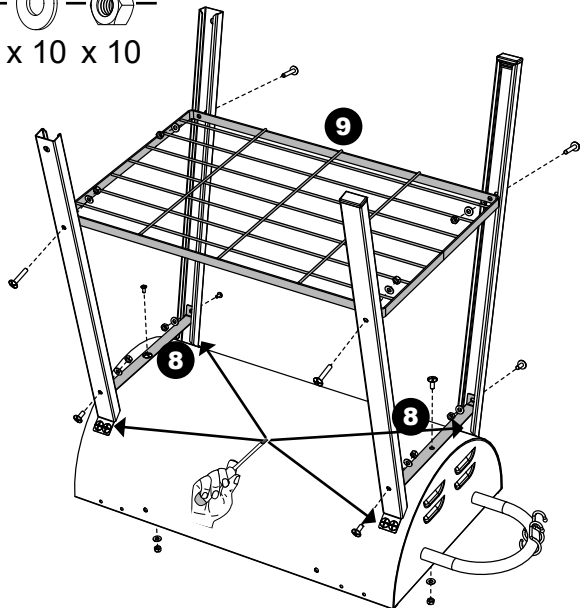


x 6

x 4

x 10

x 10

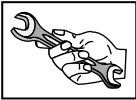
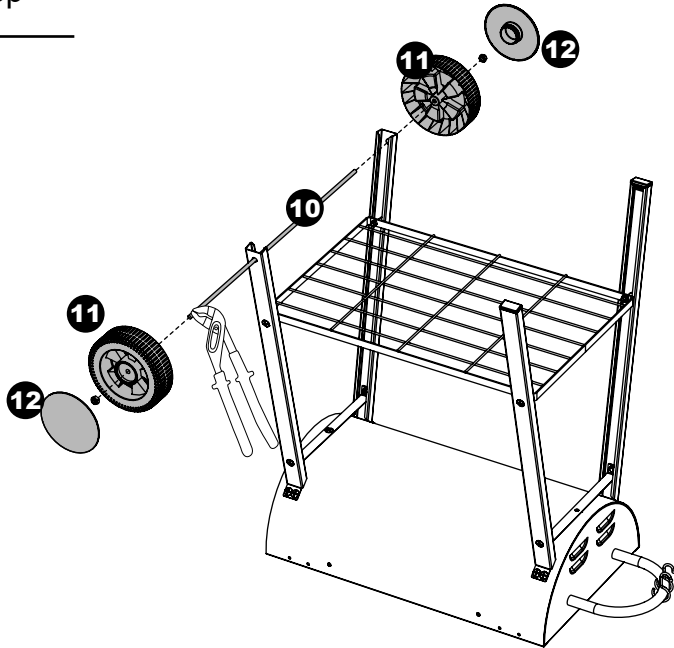


**5**

Ø8 Nylstop



x 2

**6**

Ø6x12

Ø6

Ø6



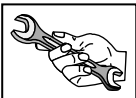
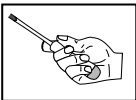
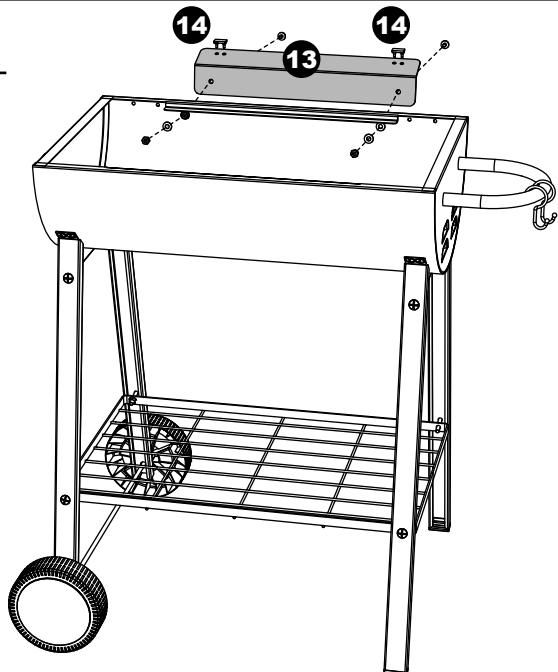
x 2



x 2



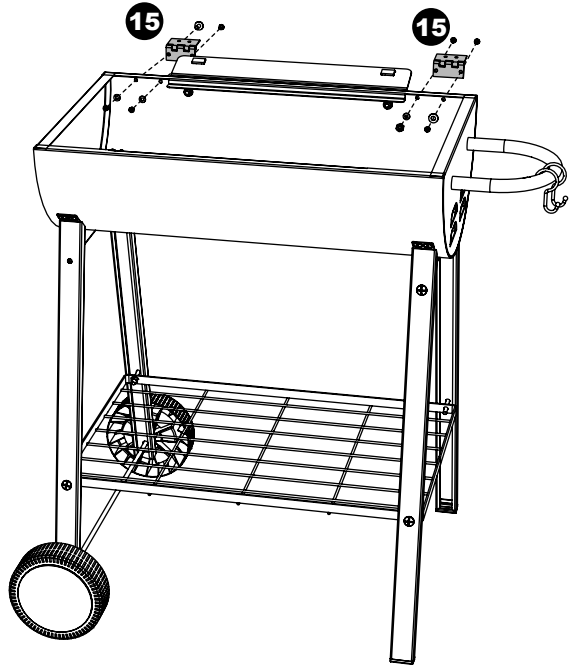
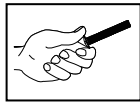
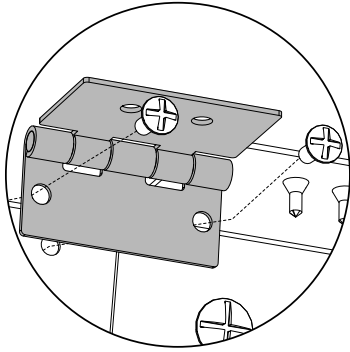
x 2



**7**

Ø4x12 Ø4 Ø4

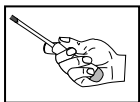
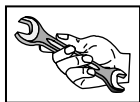
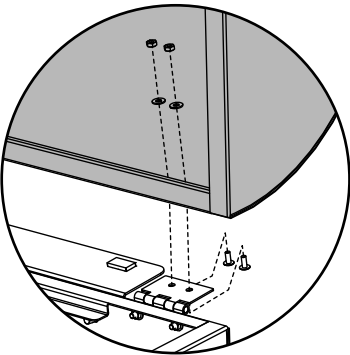
x 4 x 4 x 4



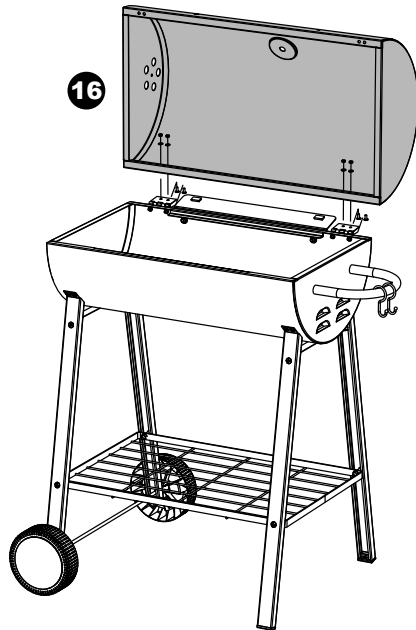
**8**

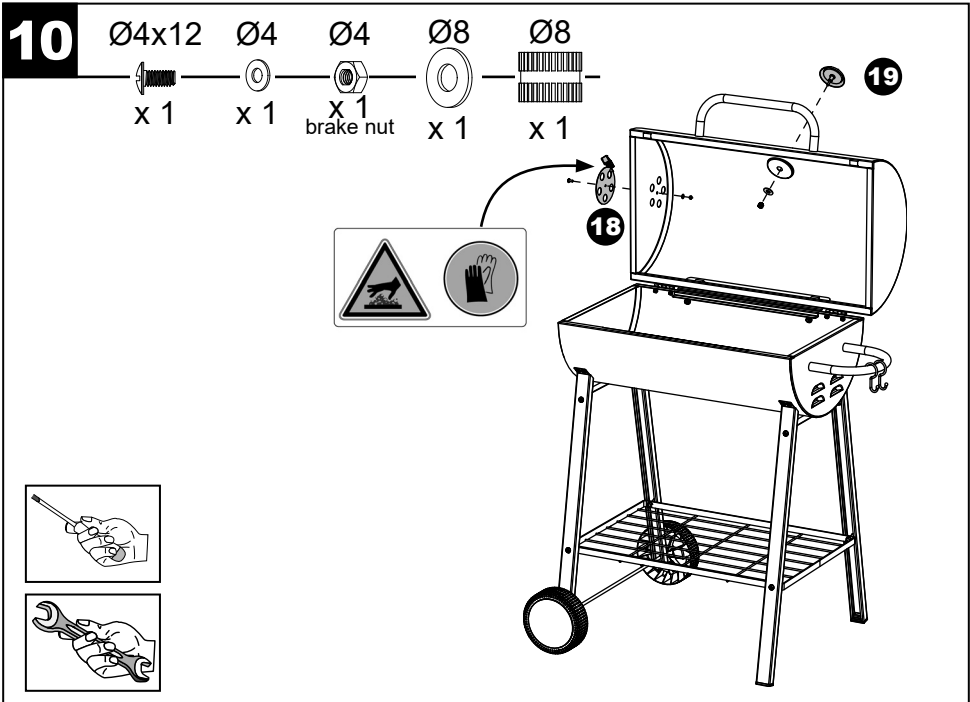
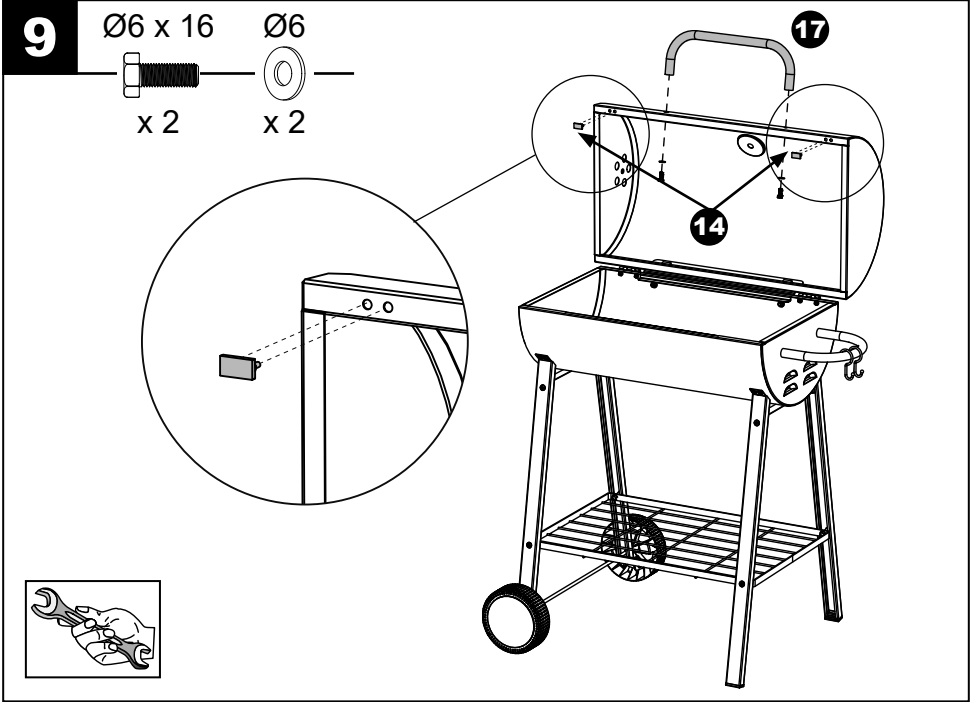
Ø4x12 Ø4 Ø4

x 4 x 4 x 4



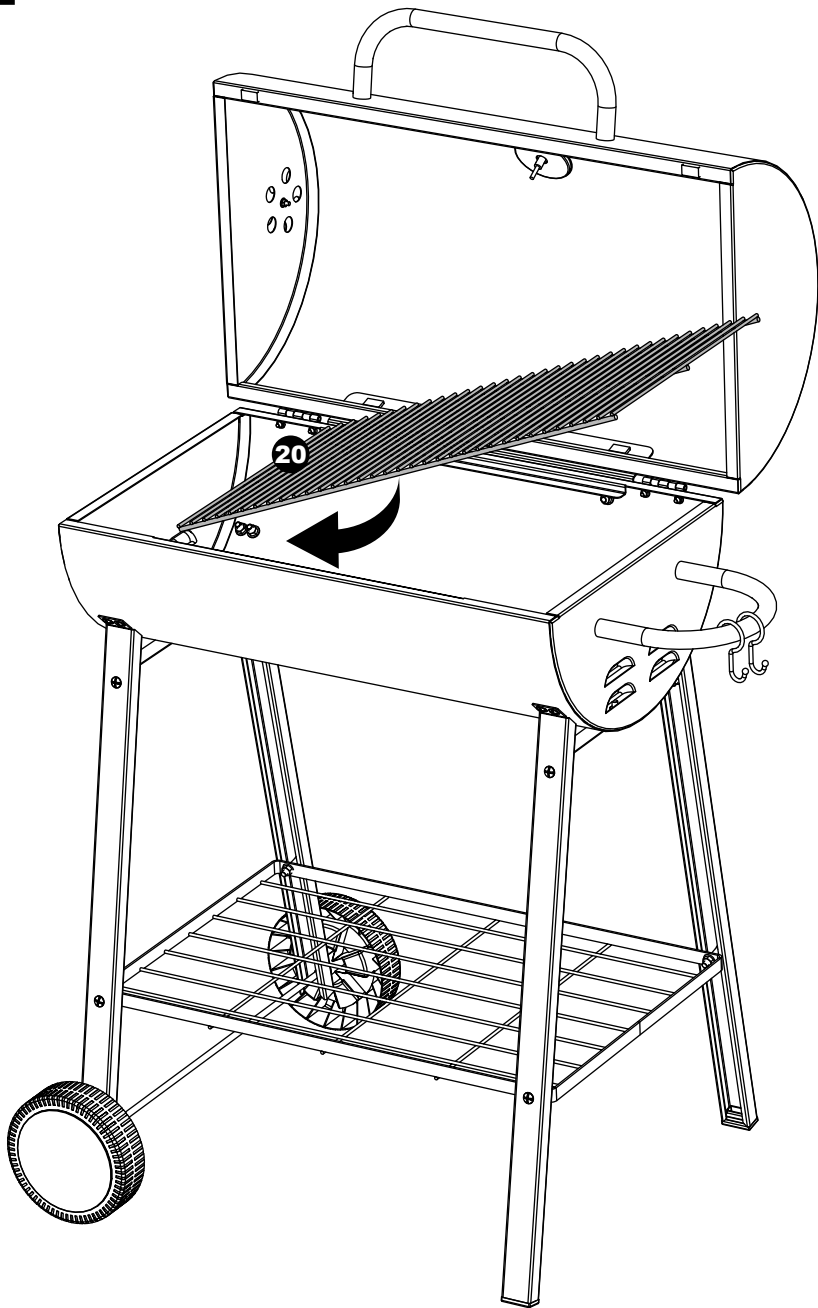
**16**







11



12

